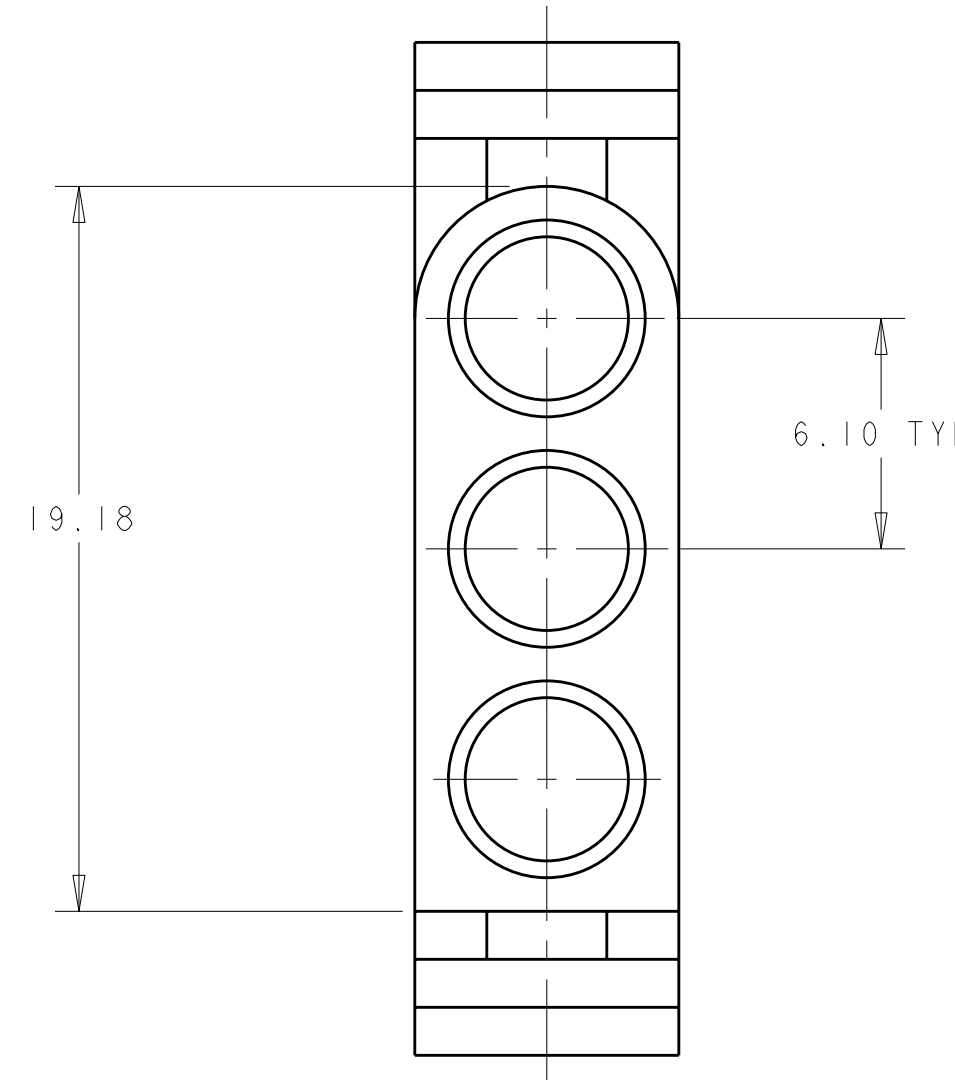
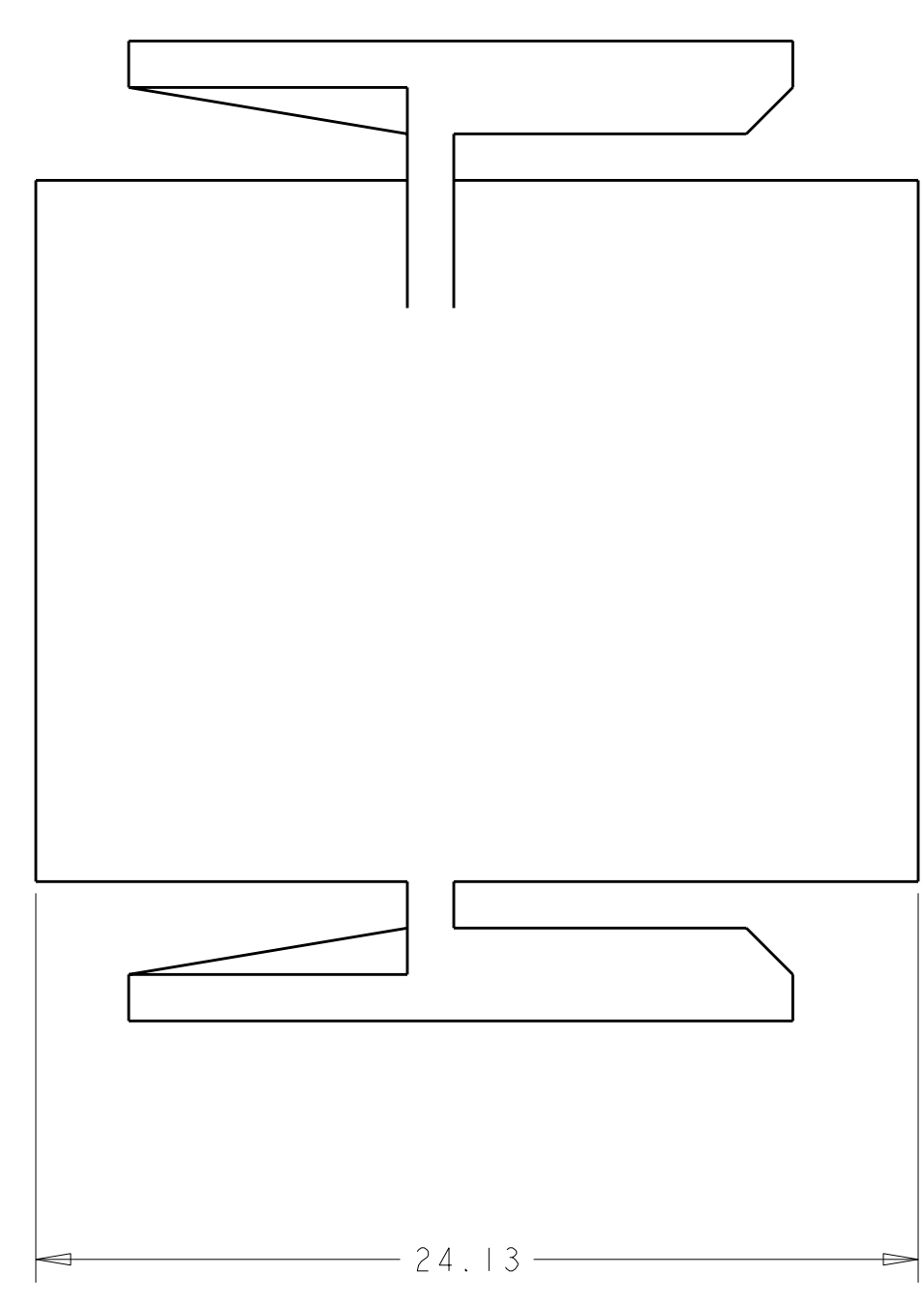
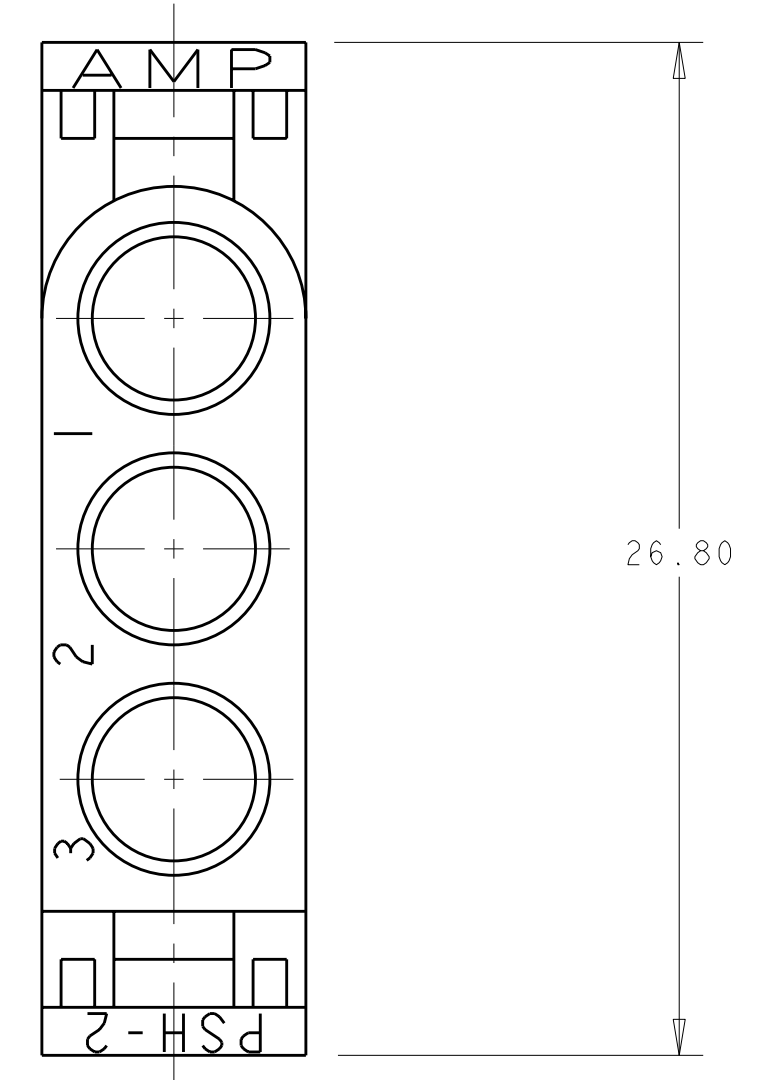
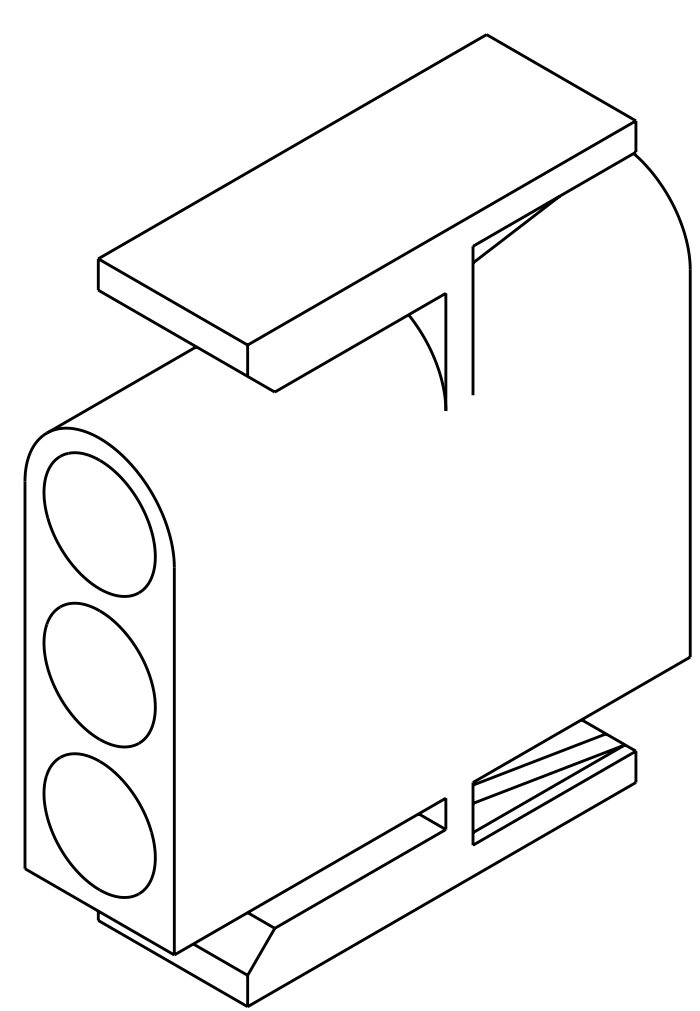


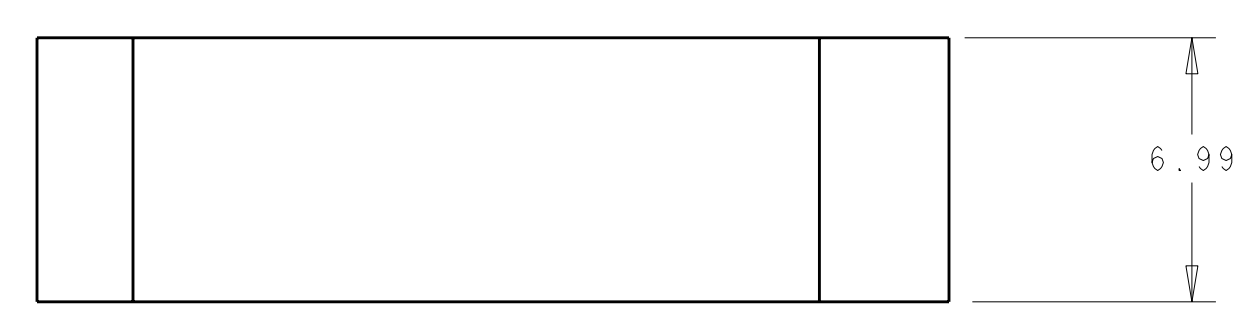
LOC	DIST	REVISIONS			
CM	00	REV	DATE	DWN	APVD
		M1	REVISD PER ECO-11-004917	12APR2011	RK HMR



1. TO BE USED WITH .140 SERIES SOCKETS.
 2. TO BE USED WITH CAP 350347.
- ⚠ FOR FOREIGN PRODUCTION ONLY.



3 DIMENSIONAL MODEL
NTS



6.99	.275	-	-
6.10	.240	26.80	1.055
3.56	.140	24.13	.950
0.13	.005	19.18	.755
MM	IN	MM	IN



THIS DRAWING IS A CONTROLLED DOCUMENT.

DIMENSIONS:	TOLERANCES UNLESS OTHERWISE SPECIFIED:	DWN R. WHITAKER 05DEC2002	CHK D. COLEY 05DEC2002	APVD D. COLEY 05DEC2002	NAME
mm	0 PLC ± 1 PLC ± 2 PLC ±0.13 3 PLC ± 4 PLC ±	PRODUCT SPEC		PLUG, 3 CIRCUIT, .140 MATE-N-LOK	
ANGLES	FINISH	APPLICATION SPEC		SIZE CAGE CODE DRAWING NO RESTRICTED TO	
		WEIGHT		A100779C=350346	
MATERIAL NYLON UL 94V-0, NATURAL		CUSTOMER DRAWING		SCALE 5:1 SHEET 1 OF 1 REV. M1	

STE TE Connectivity

Mouser Electronics

Authorized Distributor

Click to View Pricing, Inventory, Delivery & Lifecycle Information:

[TE Connectivity:](#)

[1-350346-0](#)